

Features

Electromagnetic door holders from RSG (Reliable Security Group) with four mounting types:

- Semi-flush wall mount for shallow box applications
- Surface wall mount with matching box
- Flush wall mount with recessed magnet for low profile applications
- Floor mount, for single or double doors

Multiple finish options:

- High luster plating of chrome, brass, or dark bronze
- Powdercoated in chrome or dark bronze

Low current, multi-voltage design reduces power supply and battery demands:

- Models are available for operation with 24 VDC, 24 VAC, or 120 VAC
- Internal full wave rectifier allows AC or DC operation and provides switching transient suppression
- Low residual magnetism allows easy door release for compatibility with low pressure door closers
- Rated holding force ranges from 20 lbs (9 kg) minimum; to up to 110 lbs (49.8 kg)

Quick and easy installation:

- Self-adjusting swivel catch plate adjusts to door alignment changes
- Adhesive mounting templates assure alignment
- Required mounting hardware is supplied with each door holder
- Magnet catch plates can be screwed to wooden doors or drilled through and attached to a mounting bracket
- Floor mount door holders include drills and anchors for mounting to concrete floors and hardware for mounting to wooden floors
- Front plates provide convenient grounding screw location

Optional accessories:

- Extension rods are available in multiple lengths to allow proper alignment, including a 4" (102 mm) long pivoting rod
- Drilling fixture for accurate repetitive installation

UL listed to Standard 228

Description

Door holders are normally energized to magnetically hold doors open. In the event of a fire emergency, the fire alarm control panel or other compatible control means will release the magnet allowing the door to close to prevent the spread of smoke. Doors may be manually closed or opened when the door holder is energized.

Product Reference Images
(shown without screw hole caps in place)



Semi-Flush Wall Mount Door Holder Magnet
and Catch Plate Assembly



Surface Wall Mount Door Holder Magnet
with Supplied Box



Floor Mount Door Holder Magnet with
Supplied Bracket and Box
(Single door model shown, available for double doors)

* These products have been approved by the California State Fire Marshal (CSFM) pursuant to Section 13144.1 of the California Health and Safety Code. See CSFM Listing 3550-1039:0100 for allowable values and/or conditions concerning material presented in this document. It is subject to re-examination, revision, and possible cancellation. Additional listings may be applicable, contact your local Simplex® product supplier for the latest status. Listings and approvals are under RSG, Reliable Security Group.

Product Selection (see specifications on page 4 and part number selection below)

Mounting Type	Hardware Included	Electrical Box Requirement
Semi-flush Mount (partially recessed magnet)	Magnet assembly, catch plate with bracket, screw hole caps, and required mounting hardware	Single gang box, 1 ½" deep minimum (supplied separately)
Flush Mount (fully recessed magnet)	Magnet assembly, catch plate with bracket, screw hole caps, and required mounting hardware (not shown on page 1, refer to illustration on page 3)	Single gang box, 2 ¼" deep minimum (supplied separately)
Surface Mount	Magnet assembly, catch plate with bracket, screw hole caps, matching electrical box, and required mounting hardware	Box is supplied with door holder: 4 ¾" H x 2 ¾" W x 1 ½" D (117 mm x 70 mm x 54 mm)
Floor (ground) Mount for single door with single magnet	Magnet assembly with electrical box, catch plate with bracket, floor mounting bracket, screw hole caps, and required mounting hardware including drills and anchors for concrete floors	
Floor (ground) Mount for double door with double magnets	Two surface mount magnet assemblies with electrical box, each with electrical box; two catch plates with brackets, screw hole caps, and required mounting hardware including drills and anchors for concrete floors	

Optional Door Holder Accessories

Model		Description	
Powdercoat Chrome	Brass		
DHE1PC	DHE1B	Catch plate extender rod, 1" (25.4 mm) long	Each extender rod includes two DHW extension wrenches
DHE1.5PC	DHE1.5B	Catch plate extender rod, 1 ½" (38 mm) long	
DHE2PC	DHE2B	Catch plate extender rod, 2" (51 mm) long	
DHE3PC	DHE3B	Catch plate extender rod, 3" (76 mm) long	
DHE4APC	DHE4AB	Catch plate with adjustable extender rod, 4" (102 mm) long with center pivot	
Model	Description		
DHDF	Drilling Fixture, provides convenient alignment for repetitive installation		
DHW	Extension Wrench for adding extender rod to catch plate (two are needed, two are shipped with each extension)		

Door Holder Part Number Selection

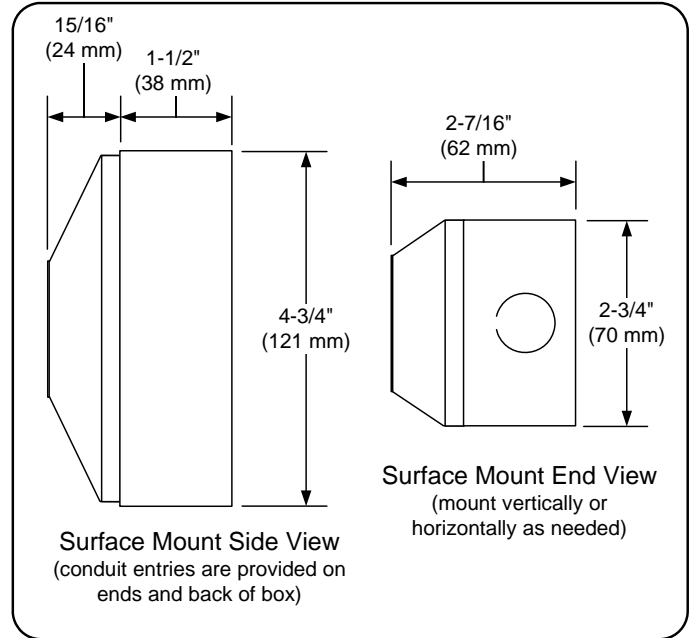
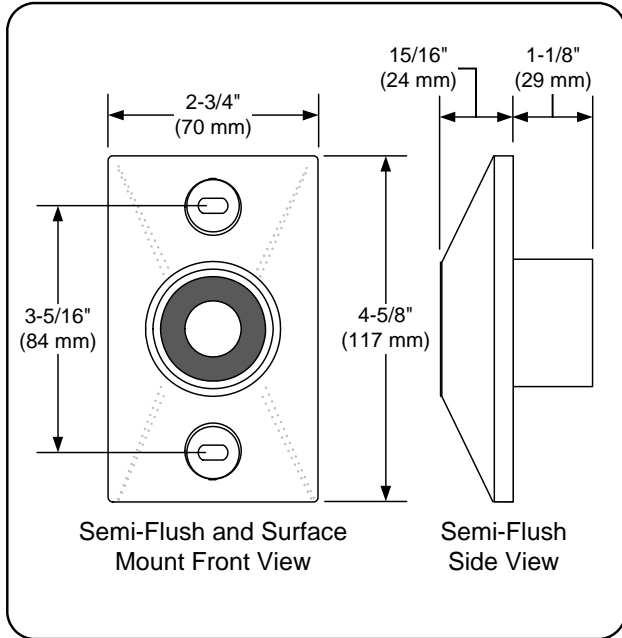
Select from each of the 6 categories to create part number (see examples below)

1		2		3		4		5		6	
Door Holder		Operating Voltages		Mounting Style		Finish Type		Finish Color		Floor Mount Coils	
Select	Select	For	Select	For	Select	For	Select	For	Select	For	
DH	1224	12 VDC 12 VAC 24 VDC 24 VAC	S	Surface Mount	P	Powdercoated	C	Chrome	1	Single door	
	24120	24 VDC 24 VAC 120 VAC	E	Semi-Flush Mount							
	24220	24 VDC 24 VAC 220 VAC	G	Floor (Ground) Mount	blank	High luster plated	B	Brass	2	Double door	
			R	Flush Mount (Recessed Magnet)			DBR	Dark Bronze	blank	Not floor mounted	

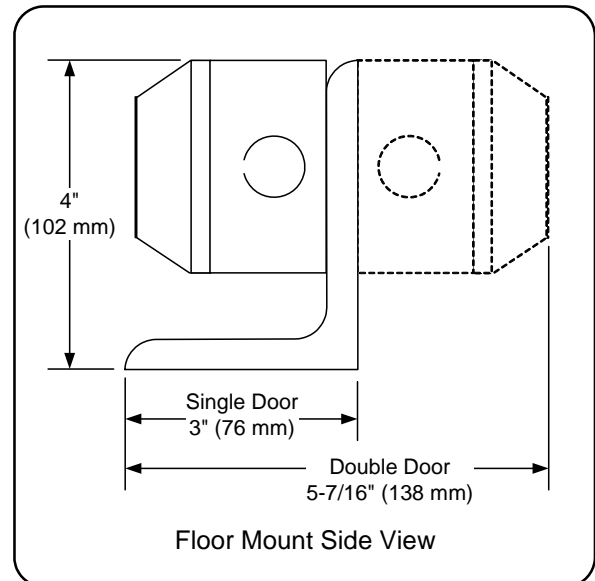
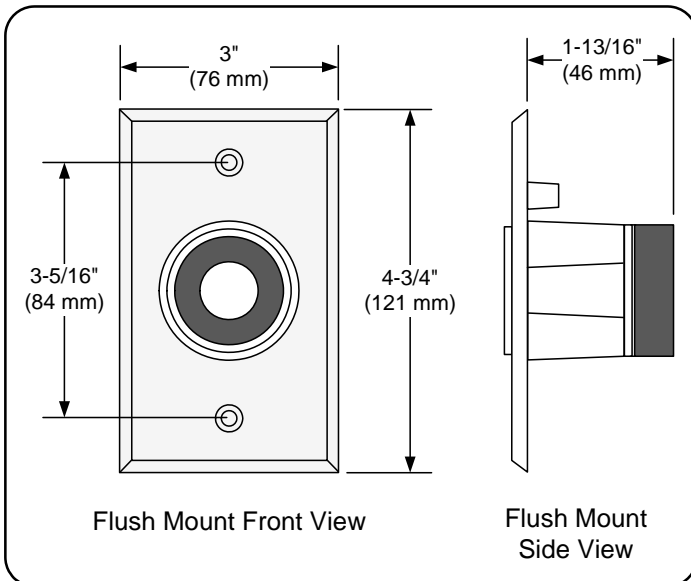
Examples:

- DH24120RPC:** Door holder; 24 VDC/VAC, or 120 VAC operation; Recessed magnet/flush mount; Powdercoated; Chrome finish
- DH24120GB2:** Door holder; 24 VDC/VAC, or 120 VAC operation; Ground/floor mount; Brass finish, high luster; Double door
- DH1224SPC:** Door holder; 12 or 24 VDC/VAC operation; Surface mount; Powdercoated; Chrome finish

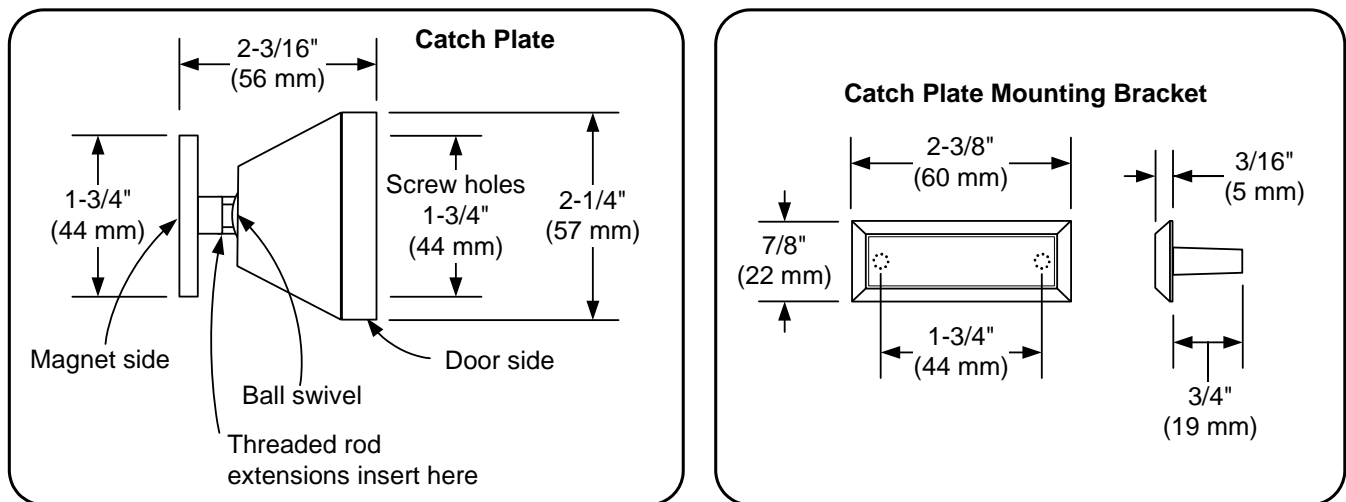
Semi-Flush and Surface Mount Dimensions



Flush and Floor Mount Dimensions



Catch Plate and Mounting Bracket Dimensions



Specifications

Mechanical Specifications

Material	Durable die-cast metal
Wiring Connections	Three position terminal block with provisions for in/out wiring; common (C), low voltage, high voltage); 22 to 12 AWG (0.5 to 3.31 mm ²)

Electrical Specifications and Performance

Model	Voltage	Current DC	Current AC	Terminals	Holding
1224	12 V	40 mA	38 mA	C & L	30 lbs (13.6 kg)
	24 V	40 mA	36 mA	C & H	
1224 High Holding Force	24 V	85 mA	81 mA	C & L	75 lbs (34 kg)
24120	24 V	20 mA	19 mA	C & L	40 lbs (18.1 kg)
	120 VAC	–	20 mA	C & H	35 lbs (15.8 kg)
24120 High Holding Force	120 VAC	–	100 mA	C & L	110 lbs (49.8 kg)
24220	24 V	20 mA	19 mA	C & L	20 lbs (9 kg)
	220 VAC	–	15 mA	C & H	22 lbs (9.8 kg)

For additional information, visit the RSG website: <http://www.rsgsecurity.com/>

TYCO, SIMPLEX, and the product names listed in this material are marks and/or registered marks. Unauthorized use is strictly prohibited.



Tyco Fire Protection Products • Westminister, MA • 01441-0001 • USA
www.simplexgrinnell.com

S2088-0014-2 8/2012

© 2012 Tyco Fire Protection Products. All rights reserved. All specifications and other information shown were current as of document revision date and are subject to change without notice.